



AW-5600FX

Semi-Automatic Weigh-Wrap-Label System



PC Based

Standard Features

- User Friendly/Eye Catching 12.1" Color Display
- Remote Diagnostic Functions
- Audit trail
- Date and Time Stamp
- Price Override Lock
- Password Protection
- Remote update of Operating System, Label Formats, Preset Keys, Images
- Compatible with Third Party Scale Management Applications

Mandatory Regulations

- USDA Safe handling Statement
- Cool (Country of Origin) Information
- Ingredients, Nutritional Information, Allergens, Trans Fats

Advertising Features

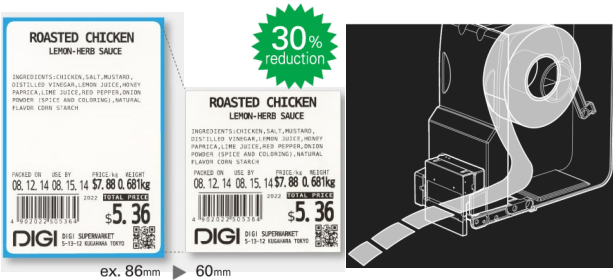
- Recipes
- Cooking instructions
- Advertisement

Optional Features

Linerless Labels Printer with World's first Auto-Cutter
Wireless Lan IEEE 802.11 a/b/g/n, Second Labeler

New Brunswick International, Inc.
DIGI Retail Scale and Labeling Systems

Linerless Labels



Increased flexibility in label formats

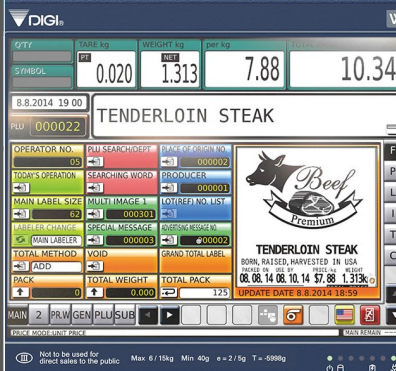
The auto-cut features cuts from a continuous strip of linerless labels every time a label is printed. Variable labels every time a label is printed. Variable label layouts and sizes can be printed from a single roll.



Specifications

General	Specifications		
Power source	208/240v; 1Ø; 50/60Hz; 2.3kVA		
Power consumption	220-240V; 1Ø; 50/60Hz; 7.5A; 1.8kW		
Dimensions	800 mm(W) x 935(D) x 1428.5(H) mm 31.5 in(W) x 36.8 in(D) x56.24(H) in		
Net Weight	Approx. 250 kg/551 lb.(Single Labeler Type)		
Operation humidity	90% RH (max.) with no condensation		
Console	Display Panel TFT LCD color (12.1inches) touch panel		
Operation Keys	Mechanical Keys and touch screen		
Memory	8.8.GB		
Printer	Type Thermal Printer		
Dot Density	12 dot/mm (300 dpi)		
Printing Width	40-80 mm (1.6-3.1 inches)		
Printing Length	28-105 mm (1.1-4.1 inches)		
Label Size	Width: 40-80 mm (1.6-3.1 inches) Length: 28-105 mm (1.1-4.1 inches)		
Label roll diameter	Max. 210 mm (8.2 inches)		
Label roll core diameter	76 mm (3.0 inches)		

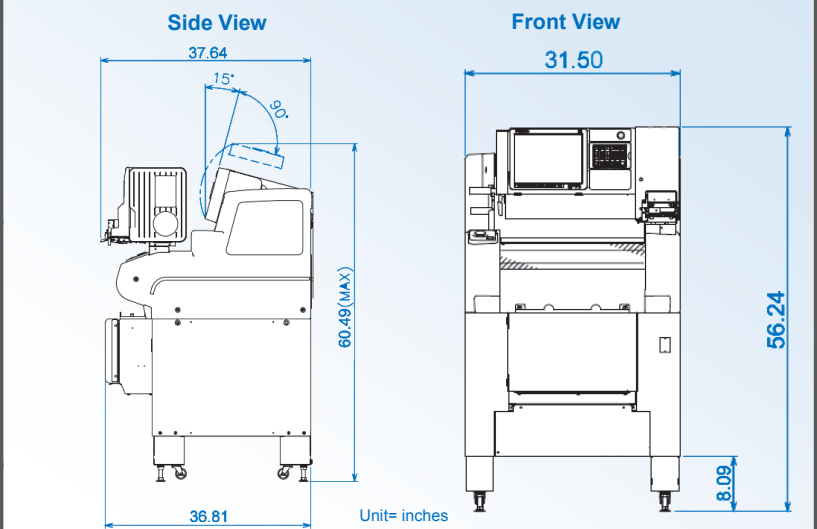
Operator Screen



Tray less Products



Wrapper Dimensions



New Brunswick International, Inc.

Corporate Headquarters
76 Veronica Ave
Somerset, NJ 08873
TEL: (732) 828-3633
FAX: (732) 828-4884

West Coast Office
530 West Central Ave. Suite C
Brea, CA 92821
TEL: (714) 671-7911
Fax: (714) 671-0798

